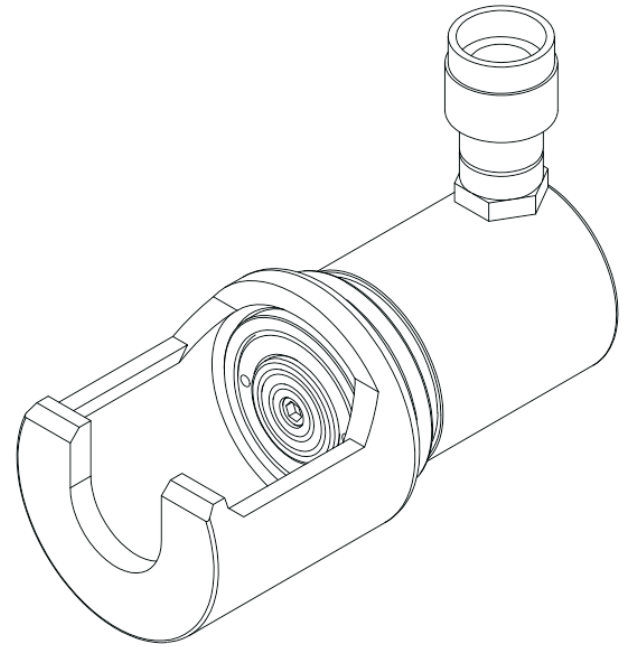


OPERATOR'S MANUAL



TRUCK BALL JOINT TOOL SET

INSTRUCTION SHEET FOR TRUCK BALL JOINT TOOL SET

NOTE

PLEASE READ AND FOLLOW THIS INSTRUCTION BEFORE YOU USE HYDRAULIC CYLINDERS.

Carefully inspect all components for shipping damage, if shipping damage is found. Please notify carrier at once. The carrier is responsible for any damage resulting from shipment.

1. SAFETY

To avoid personal injury or property damage, please follow all safety precautions. Seller cannot be responsible for injury or damage resulting from unsafe and incorrect products use or system operation, or lack of maintenance.

DANGER is only used when your action or lack of action may cause serious injury or even death.

WARNING indicates a potential danger that requires correct action to avoid personal injury.

IMPORTANT indicates correct action to prevent damage or equipment failure.



DANGER

- The Truck Ball Joint Tool Set operator must be a qualified operator familiar with correct training and work experience of hydraulic equipment. Lack of knowledge in any of these areas can lead to equipment damage or personal injury.
- Please carefully inspect cylinder(s), coupler(s) and hose(s) before use truck ball joint equipment, if you find any damage on the cylinder(s), coupler(s), and hose(s), please stop using your equipment and contact with your seller. These damages may cause equipment failure and possible personal injury.

- To avoid personal injury, please do not modify or weld truck ball joint equipment without approving by the seller.
- The operating pressure of cylinder(s) are designed for a max pressure of 700 bar (10,000 psi), please do not use a pump or relief valve with a higher pressure rating to connect the cylinder(s). Higher pressure pump (recommend air hydraulic foot pump) or relief valve may cause equipment failure and possible personal injury.



WARNING

- Please wear safety glasses, safety cap and other necessary personal protective equipment when operating truck ball joint equipment.
- Please carefully inspect the cylinder and coupler before use it, Never connect the cylinder(s) with damaged coupler(s) or damaged port threads. The damaged coupler or damaged port thread may cause equipment failure and possible personal injury.
- The operating space is narrow, prevent personal damage.

IMPORTANT

- Please keep the cylinder clean all the time.
- Please do not drop heavy duty on hose.
- Please do not lift and carry hydraulic cylinders by the hose(s) or coupler(s), use the handle or other safe way.

2.Product Feature

- 1) Compact design, easy to control when operating
- 2) Three types of sleeves are available
- 3) With accessories, quick replacement
- 4) Spring reset automatically, efficient

3.Operation

- 1) Choose the suitable sleeve, connect the cylinder, sleeve, and also connect hose, couplers and air hydraulic pump. (picture 1)



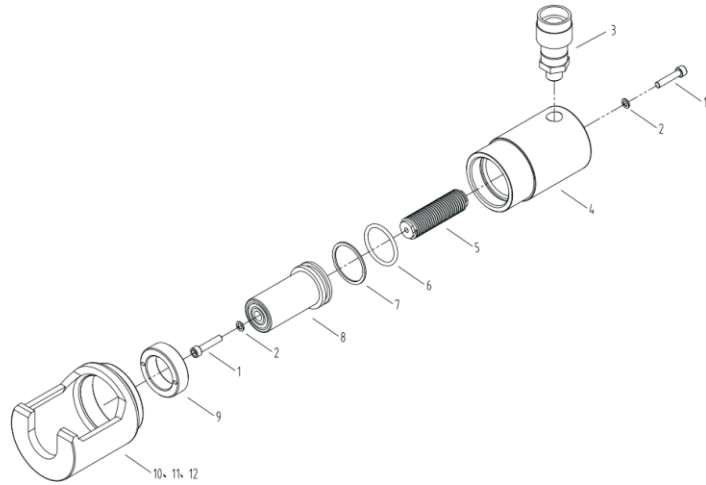
picture 1

- 2) Install the sleeve on the ball, use air hydraulic foot pump, until the ball fall off. (picture 2)



picture 2

4. Parts List



ITEM	DESCRIPTION	QTY.	ITEM	DESCRIPTION	QTY.
1	BoltM6×40	2	7	Ring Φ45×Φ39×1.5	1
2	Copper packing Φ10×Φ6×1	2	8	Piston rod	1
3	CouplerNPT3/8	1	9	guide sleeve	1
4	Cylinder	1	10	sleeve40	1
5	Spring	1	11	sleeve35	1
6	O-Ring Φ38.7×3.55	1	12	sleeve32	1